

# NorthStar 3.8 LPM 12V Diaphragm Pump

This high-end NorthStar® NSQ Series™ 12V pump upgrades your sprayer with innovative components and engineering for superior spot or broadcast spraying performance and quick-connect convenience. Delivers 100% continuous duty rating with no cool down period required. Compatible with Roundup® agricultural herbicide.

### Model Number:

NTE#: 2681042

### Voltage:

12V DC

### Maximum Flow Rate:

3.8 liters/minute (1.0 gallons/minute)

### Pressure Switch:

Shut-Off: Factory set at 40 PSI  $\pm$  2 PSI  
(2.7 BAR  $\pm$  0.14 BAR)  
Hysteresis: Varies with outlet conditions  
11 PSI  $\pm$  3 PSI at minimum on/off cycling  
6 PSI  $\pm$  2 PSI at maximum on/off cycling

### Wetted Materials:

Plastics: Polypropylene, Nylon (PA66)  
Diaphragm: Santoprene  
Valves/Seals: Viton  
Check Valve Spring: 304 stainless steel

### Liquid Temperature:

60° C (140° F) maximum

### Prime:

Self-priming up to 3.05m (10-ft.)

### Ports:

19mm (3/4in.) Quick-Connect

### Weight:

0.45 kg (2 lbs)

### Duty Rating:

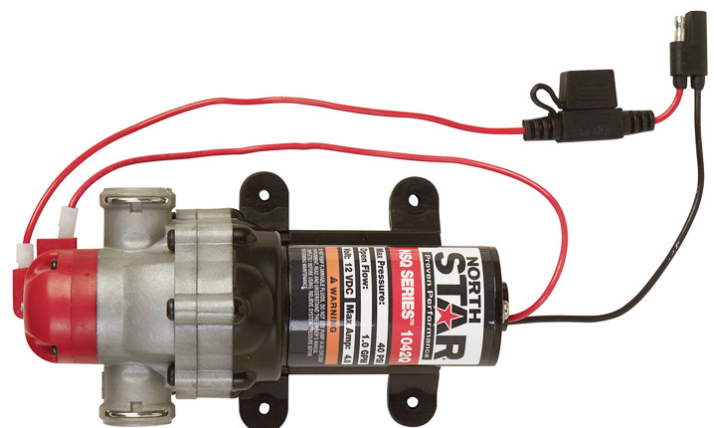
Continuous (S1)

### Protection Rating:

IPX1

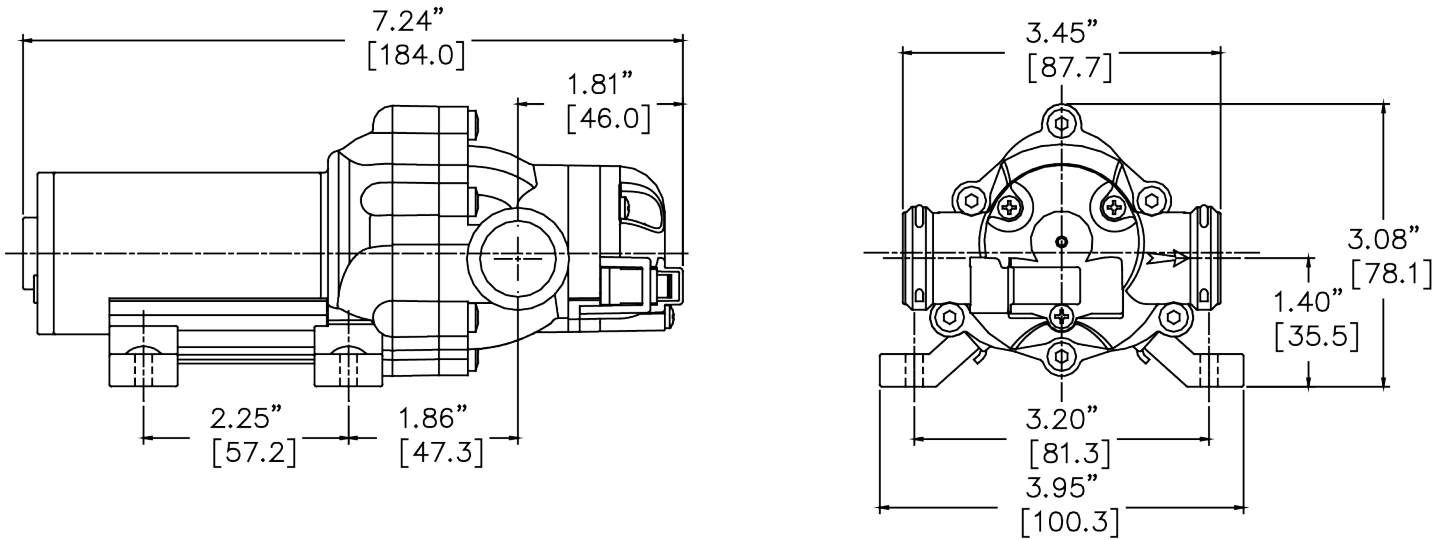
### Approvals:

CE compliant

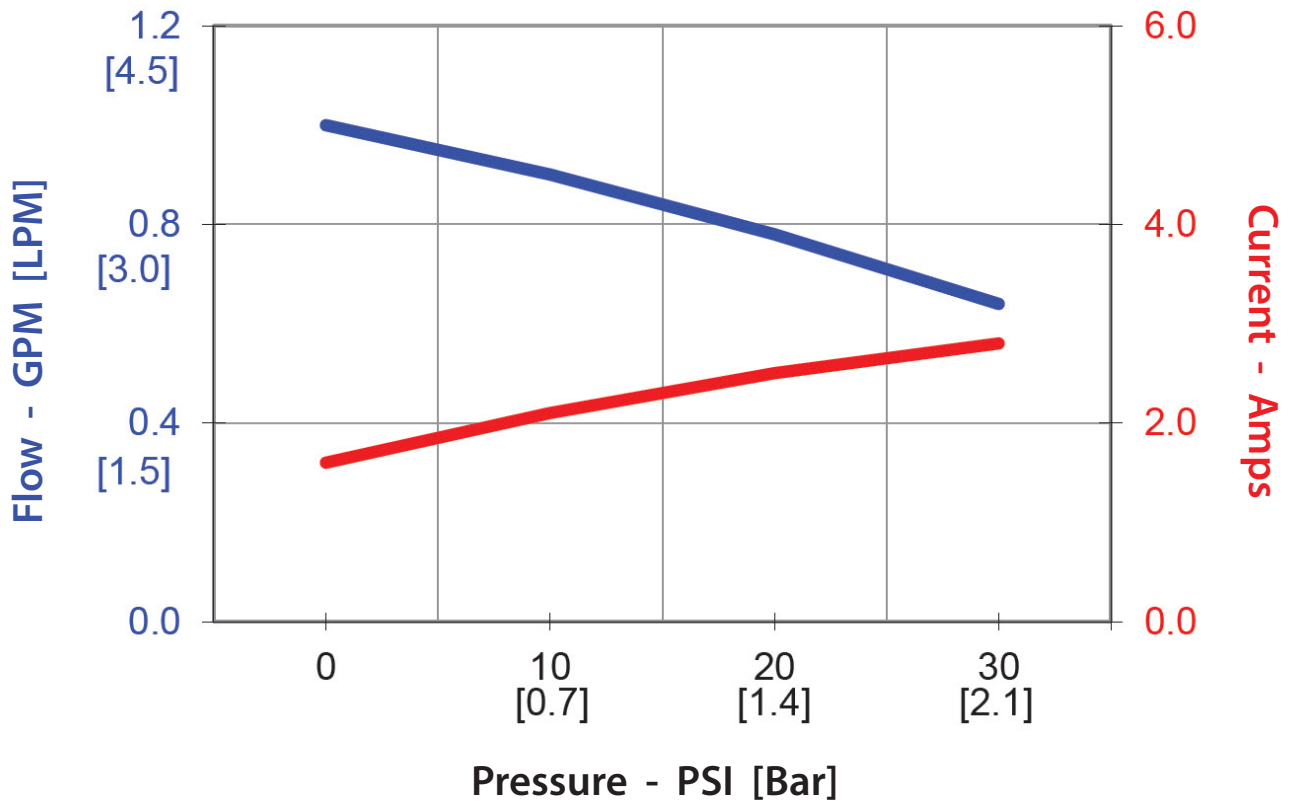


# NorthStar 3.8 LPM 12V Diaphragm Pump

## Dimensions:



## Performance at 12V DC:



\*Specifications subject to change without notice.