

NorthStar 6.9 BAR

High-Pressure Diaphragm Pump

When pressure becomes more important than flow, this high-end NorthStar® NSQ Series™ 12V pump upgrades your sprayer with innovative components and engineering for superior spot spraying performance. Delivers 100% continuous duty rating with no cool down period required. Compatible with Roundup® agricultural herbicide.

Model Number:

NTE#: 26811102

Voltage:

12V DC

Maximum Flow Rate:

4.2 liters/minute (1.1 gallons/minute)

Pressure Switch:

Shut-Off: Factory set at 100 PSI \pm 2 PSI
(6.9 BAR \pm 0.14 BAR)
Hysteresis: Varies with outlet conditions
11 PSI \pm 3 PSI at minimum on/off cycling
6 PSI \pm 2 PSI at maximum on/off cycling

Wetted Materials:

Plastics: Polypropylene, Nylon (PA66)
Diaphragm: Santoprene
Valves/Seals: Viton
Check Valve Spring: 304 stainless steel

Liquid Temperature:

60° C (140° F) maximum

Prime:

Self-priming up to 3.05m (10-ft.)

Ports:

19mm (3/4in.) Quick-Connect

Weight:

1.3 kg (2.9 lbs)

Duty Rating:

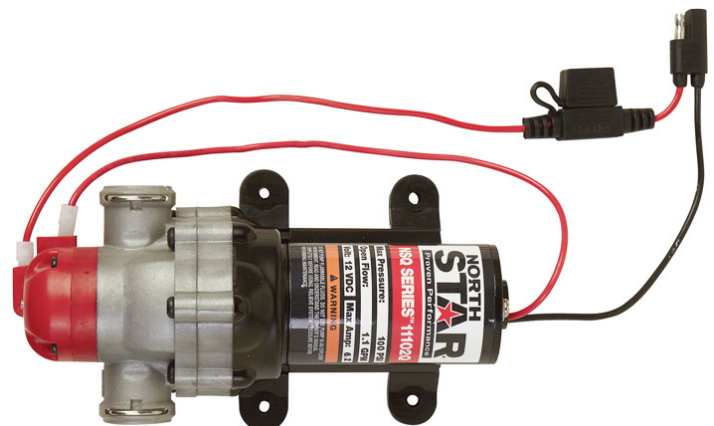
Continuous (S1)

Protection Rating:

IPX1

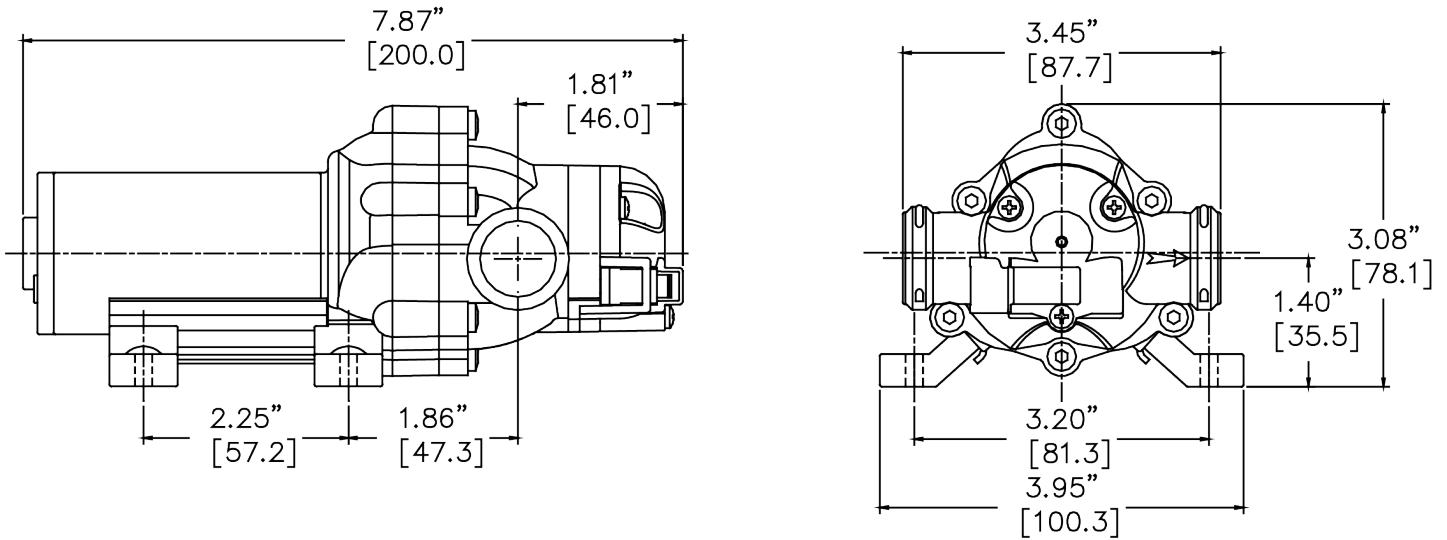
Approvals:

CE compliant

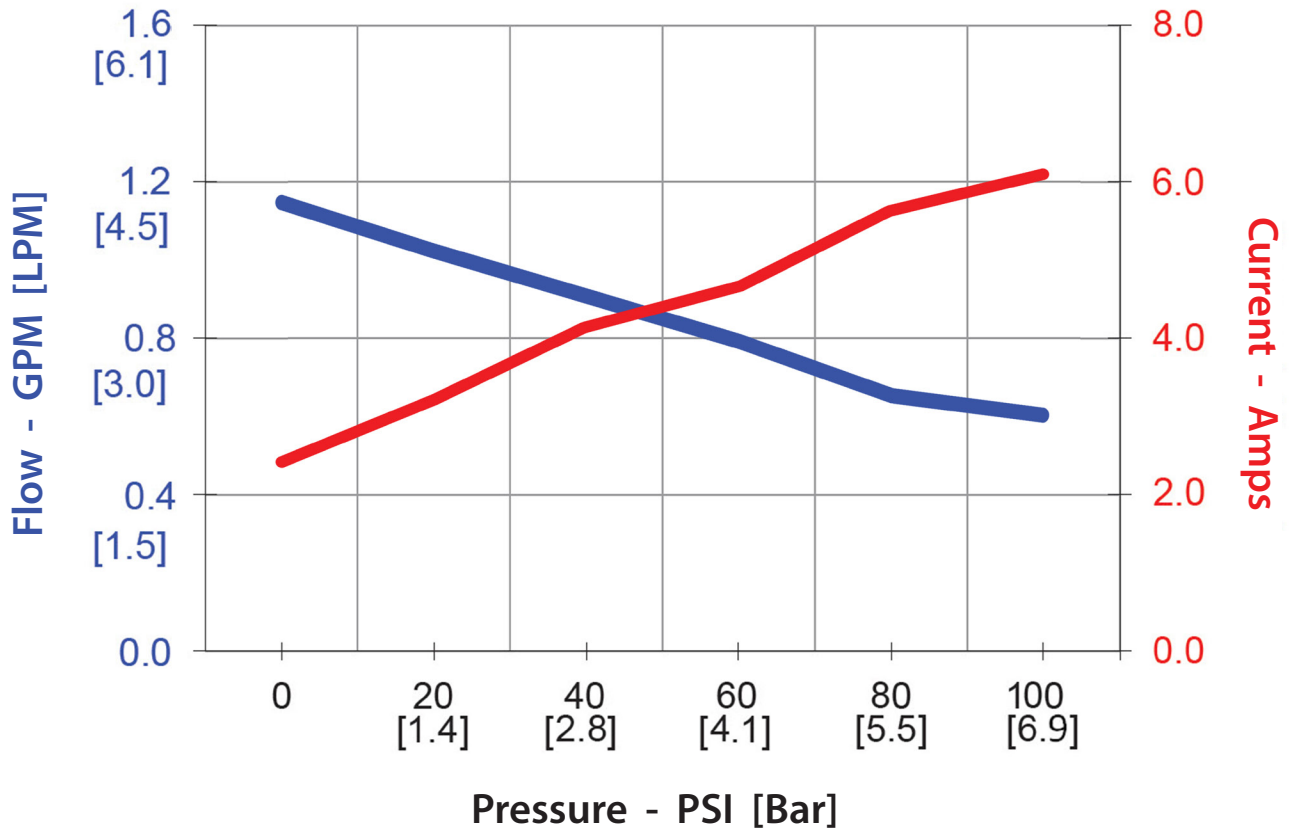


NorthStar 6.9 BAR High-Pressure Diaphragm Pump

Dimensions:



Performance at 12V DC:



*Specifications subject to change without notice.